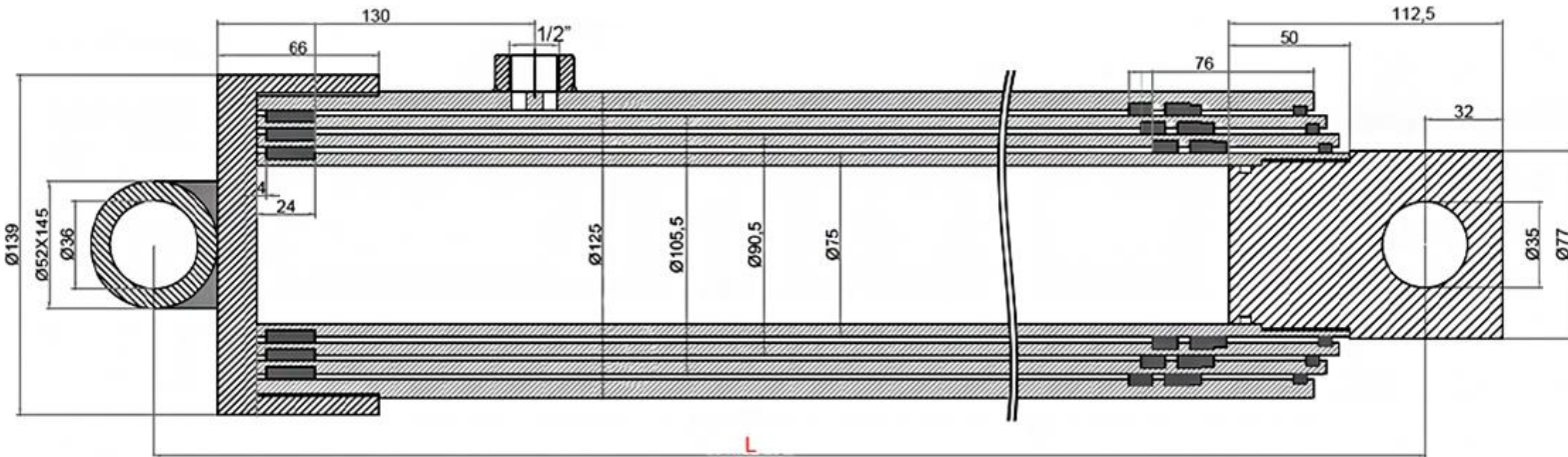


[mm]

Teleskopski cilindar 3 stopnje – 10 ton / Telescopic cylinder 3 stages 10 tons



ROSI Šifra / ROSI Code	Hod / Stroke [mm]	L [mm]	Število stopenj / No. of stages	Nosilnost / Capacity [t]	Ø cilindra / Ø cylinder [mm]	Stopnja 1 / Stage 1 [mm] (t/180bar)	Stopnja 2 / Stage 2 [mm] (t/180bar)	Stopnja 3 / Stage 3 [mm] (t/180bar)
13583	1380	640	3	10	125	105 (15,5 ton)	90 (11,4 ton)	75 (7,8 ton)
13584	1680	740						
13585	1860	800						
13586	2010	850						
13587	2160	900						
13588	2460	1000						